

PROCESSOR
252 SHEET 3
DSP AUDIO

RECEIVER
246 GND RX-ANT SHEET 2

SYNTH-VCO
2922 GND

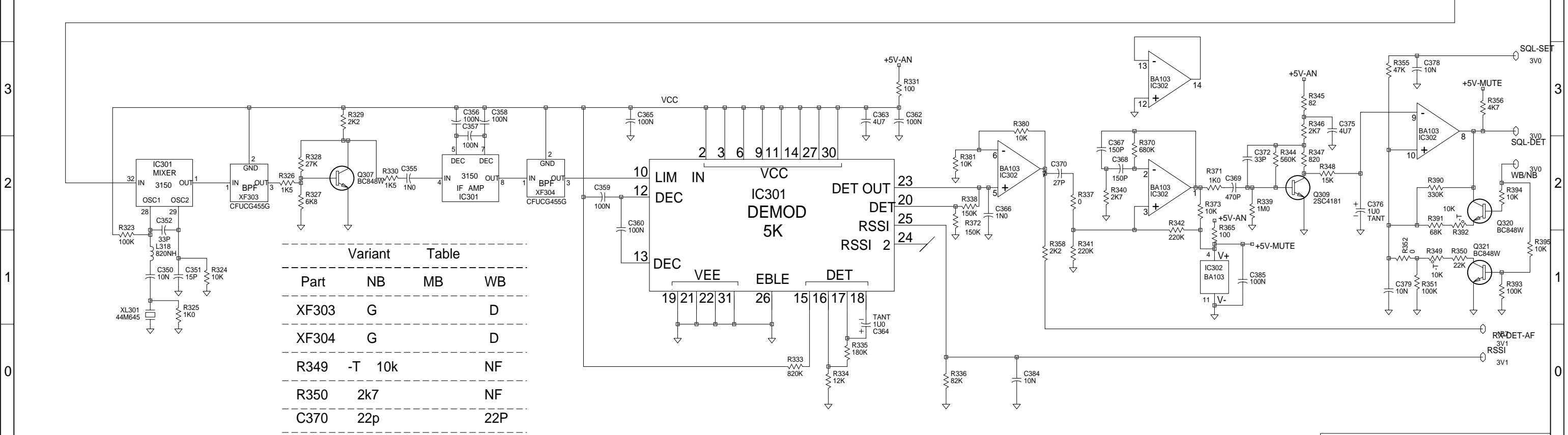
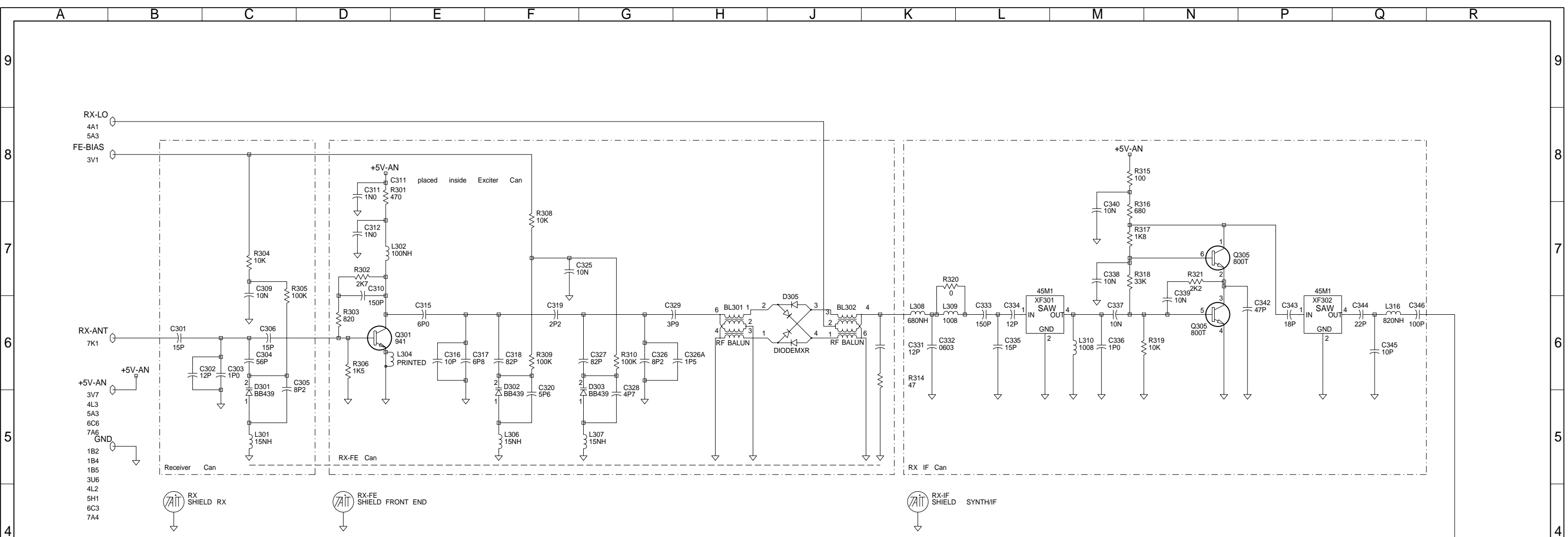
VCO sheet 6

POWER-AMP
5881 GND RX-ANT SHEET 7

01C	CHANGED PASTE TO SMALL TCXO	BRD			31-05-99
01B	500185 ROTATED C364 180 DEG TANT	BRD			05-03-99
08	UPDATED MUTE CIRCUITRY	DBH			
REV/ISS	AMENDMENTS	DRAWN	CHKD	D.O.	APVD DATE

Sub UHF

© TAIT ELECTRONICS	
ORCA :TP010-	336-400MHZ
SYSTEM DIAGRAM	
IPN: 220-01503-01	ISSUE: C 2.S.C. 1
PROJECT: ORCA	DESIGNER: BRD
FILE NAME: 150301C	FILE DATE: 31-05-99
NO SHEETS: 7	

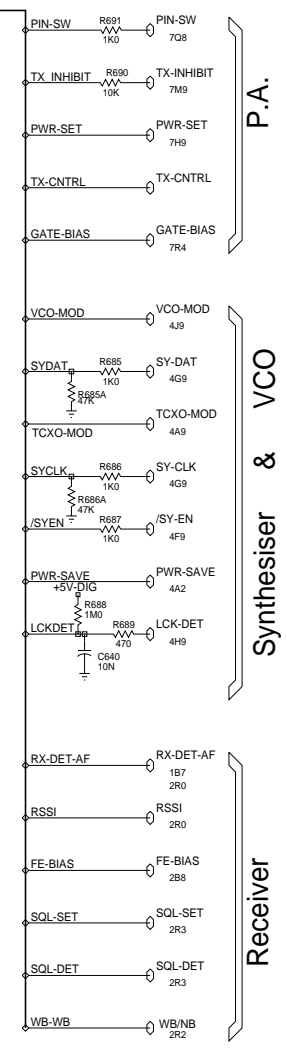
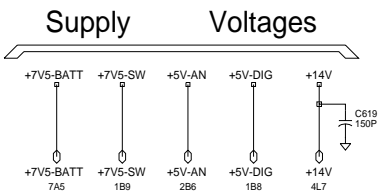
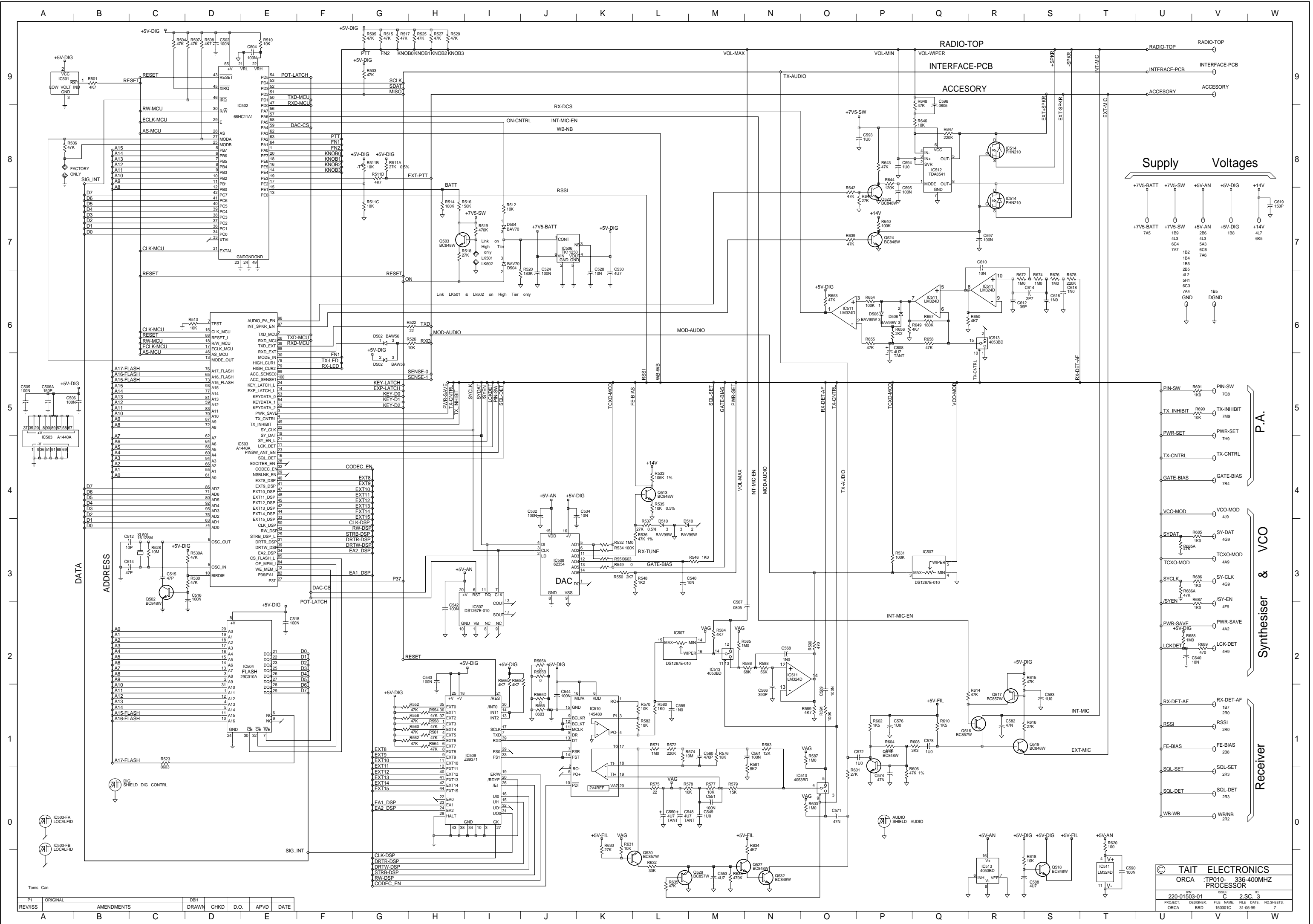


Variant Table

Part	NB	MB	WB
XF303	G		D
XF304	G		D
R349	-T	10k	NF
R350	2k7		NF
C370	22p		22P
C369	330P		330P

© TAIT ELECTRONICS
 ORCA :TP010- 336-400MHZ RECEIVER
 IPN: 220-01503-01 ISSUE: C ID: 2.S.C. 2
 PROJECT: ORCA BRD DESIGNER: 150301C FILE NAME: 31-05-99 NO.SHEETS: 7

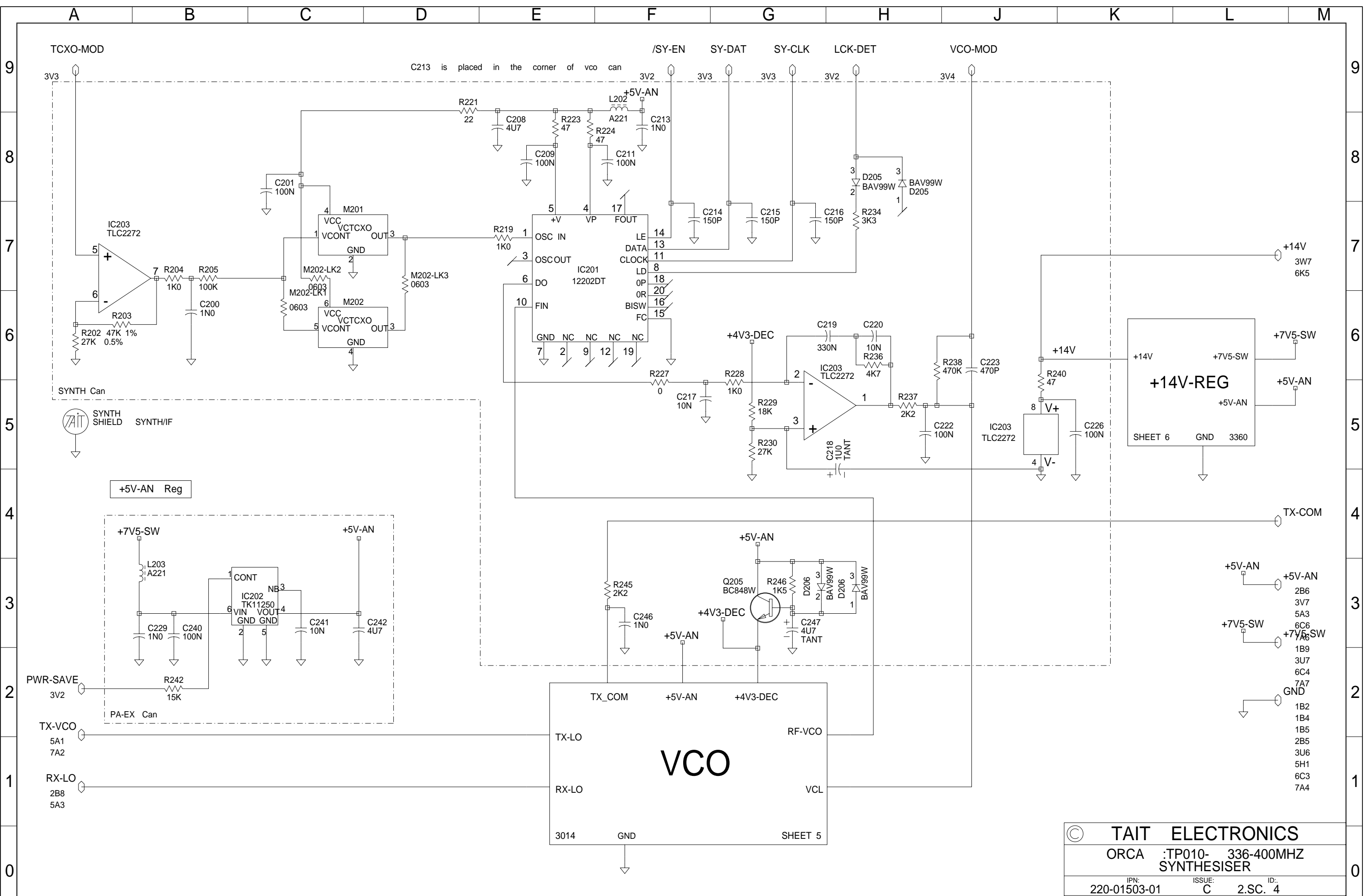
REV/ISS	AMENDMENTS	DRAWN	CHKD	D.O.	APVD	DATE
A						



© TAIT ELECTRONICS
 ORCA :TP010- 336-400MHZ
 PROCESSOR
 220-01503-01 C 2 SC 3
 PROJECT: DESIGNER: FILE NAME: FILE DATE: NO SHEETS: 7
 ORCA BRD 150301C 31-05-99

REV/ISS	ORIGINAL	AMENDMENTS	DRAWN	CHKD	D.O.	APV/D	DATE
P1			DBH				

Toms Can



VCO

3014 GND SHEET 5

+14V-REG

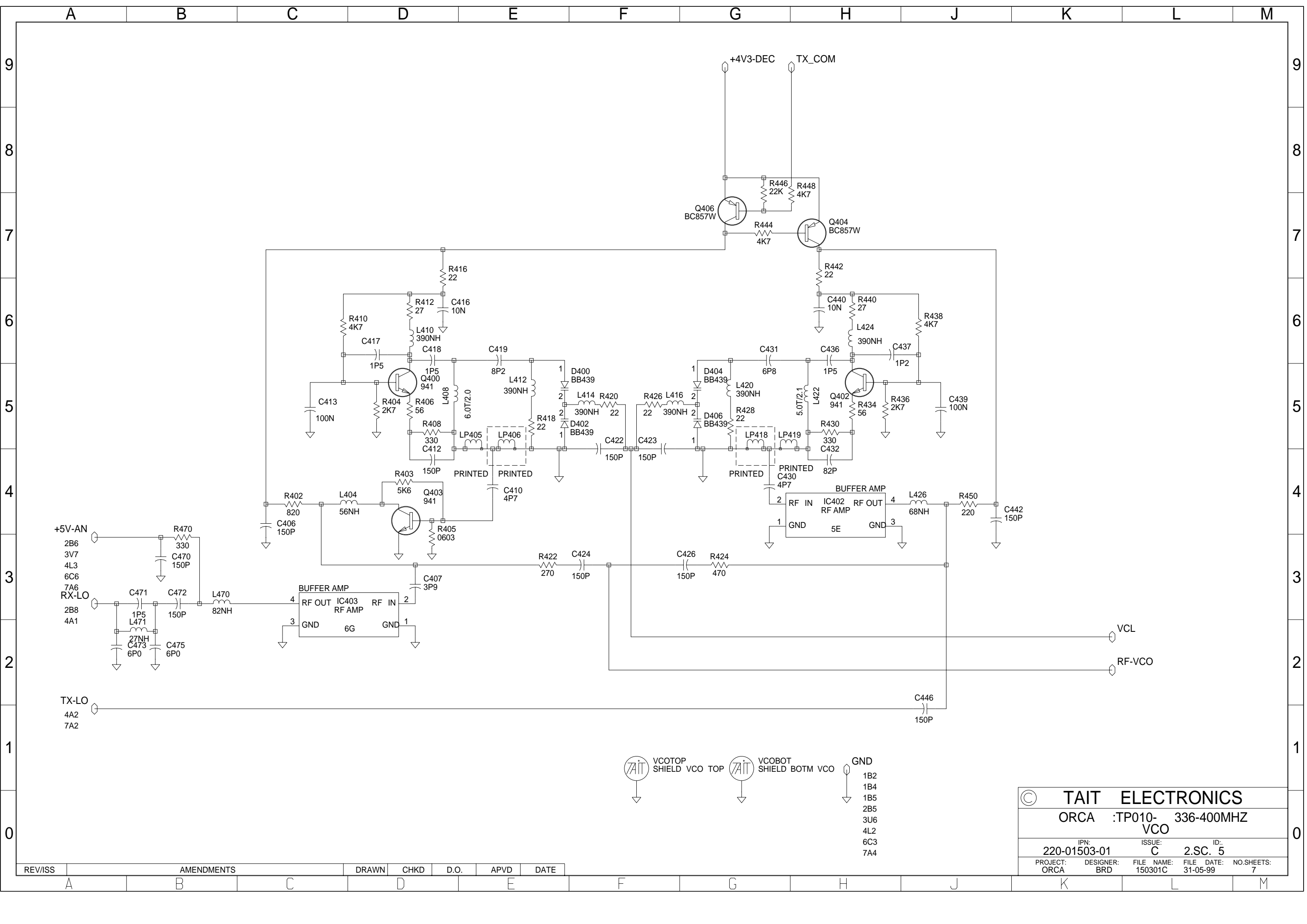
SHEET 6 GND 3360

+5V-AN Reg

PA-EX Can

© TAIT ELECTRONICS				
ORCA :TP010- 336-400MHZ SYNTHESISER				
IPN:	ISSUE:	ID:		
220-01503-01	C	2.SC. 4		
PROJECT:	DESIGNER:	FILE NAME:	FILE DATE:	NO.SHEETS:
ORCA	BRD	150301C	31-05-99	7

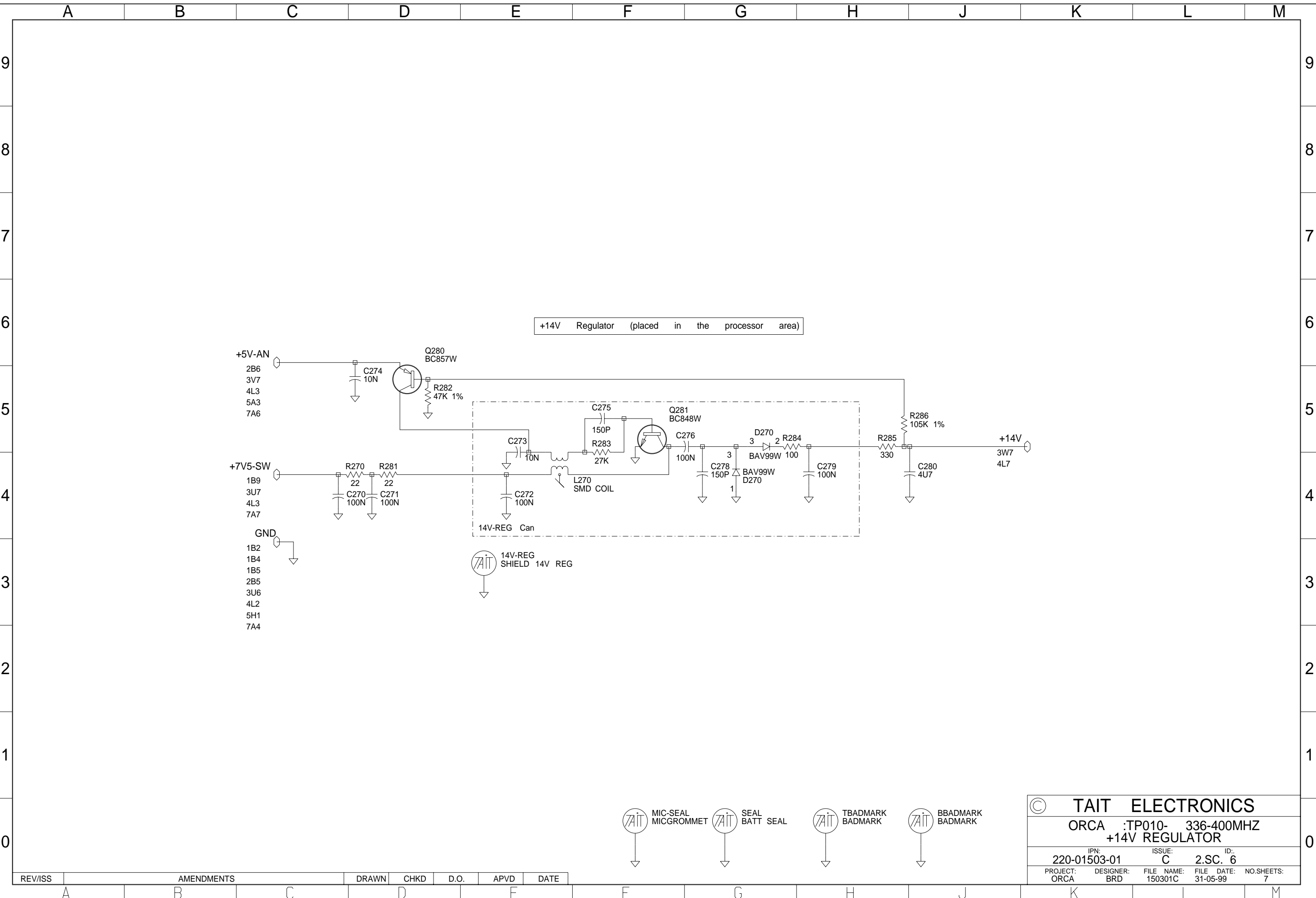
REV/ISS	AMENDMENTS	DRAWN	CHKD	D.O.	APVD	DATE







- VCOTOP SHIELD VCO TOP
- VCOBOT SHIELD BOTM VCO
- GND
- 1B2
- 1B4
- 1B5
- 2B5
- 3U6
- 4L2
- 6C3
- 7A4

© TAIT ELECTRONICS
 ORCA :TP010- 336-400MHZ
 VCO
 IPN: 220-01503-01 ISSUE: C ID: 2.SC. 5
 PROJECT: ORCA DESIGNER: BRD FILE NAME: 150301C FILE DATE: 31-05-99 NO.SHEETS: 7

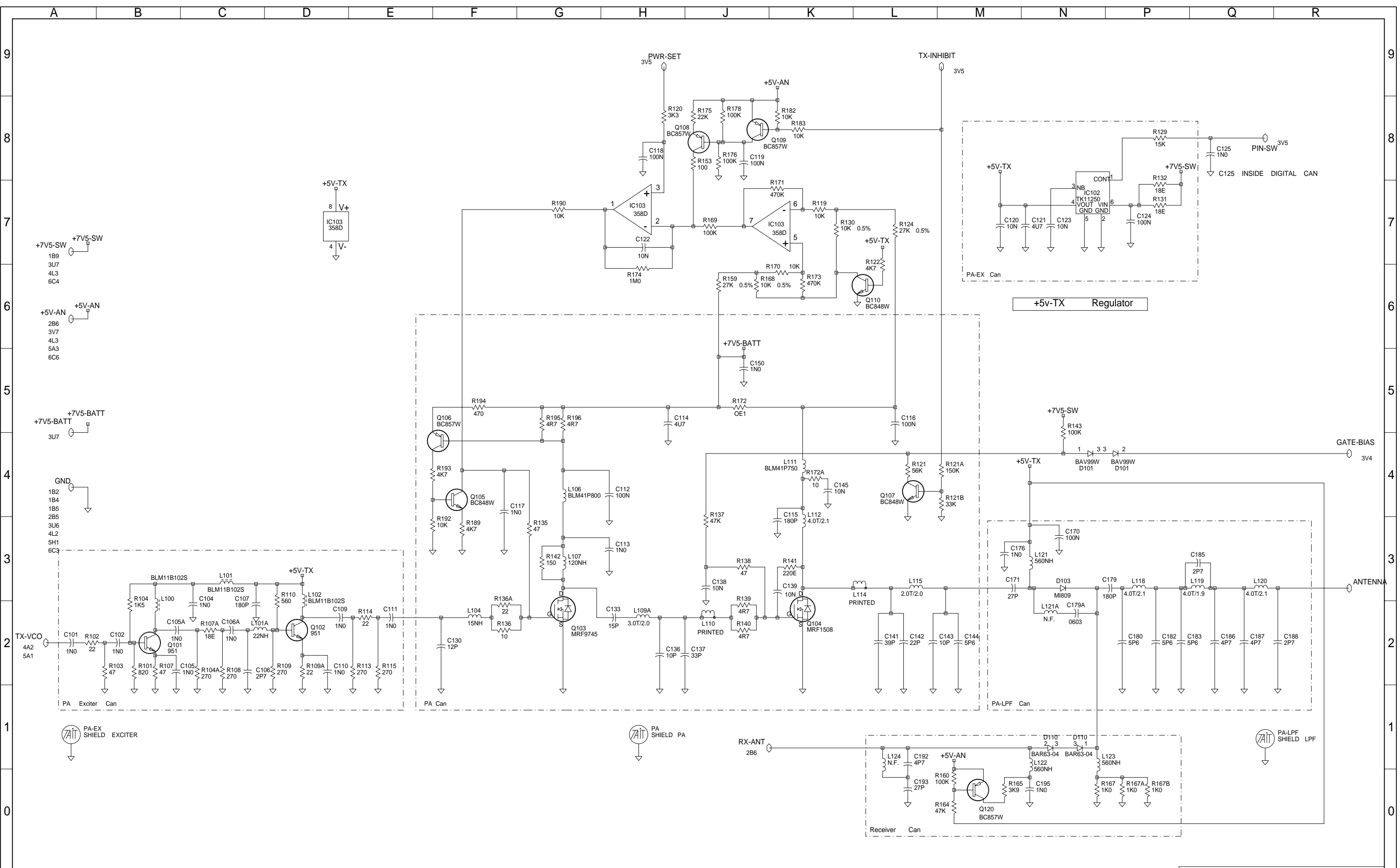
REV/ISS	AMENDMENTS	DRAWN	CHKD	D.O.	APVD	DATE



- 
 MIC-SEAL
MICGROMMET
- 
 SEAL
BATT SEAL
- 
 TBADMARK
BADMARK
- 
 BBADMARK
BADMARK

© TAIT ELECTRONICS				
ORCA :TP010- 336-400MHZ +14V REGULATOR				
IPN: 220-01503-01	ISSUE: C	ID: 2.SC. 6		
PROJECT: ORCA	DESIGNER: BRD	FILE NAME: 150301C	FILE DATE: 31-05-99	NO.SHEETS: 7

REV/ISS	AMENDMENTS	DRAWN	CHKD	D.O.	APVD	DATE



© TAIT ELECTRONICS
 ORCA :TP010- 336-400MHZ
 LOWCOST T3010

IPN: 220-01503-01	ISSUE: C	ID: 2.S.C. 7
PROJECT: ORCA	DESIGNER: BRD	FILE NAME: 150301C
	FILE DATE: 31-05-99	NO.SHEETS: 7

03A						
REV/ISS	AMENDMENTS	DRAWN	CHKD	D.O.	APVD	DATE
A						